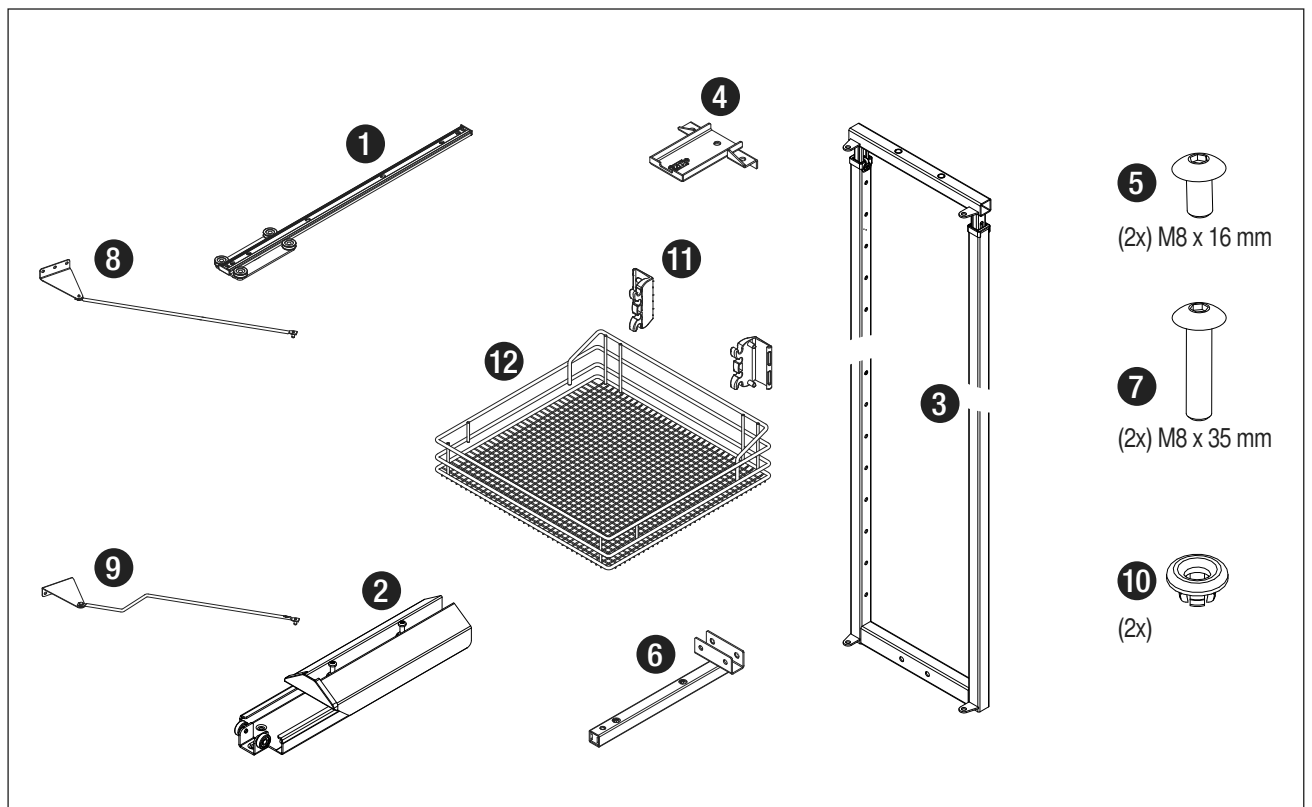
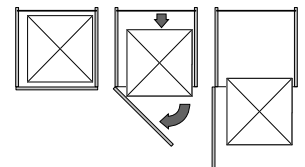
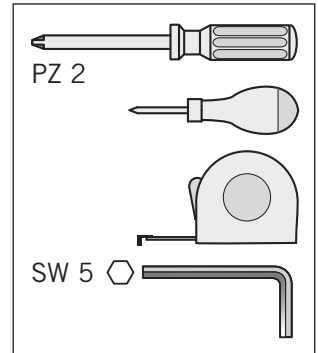
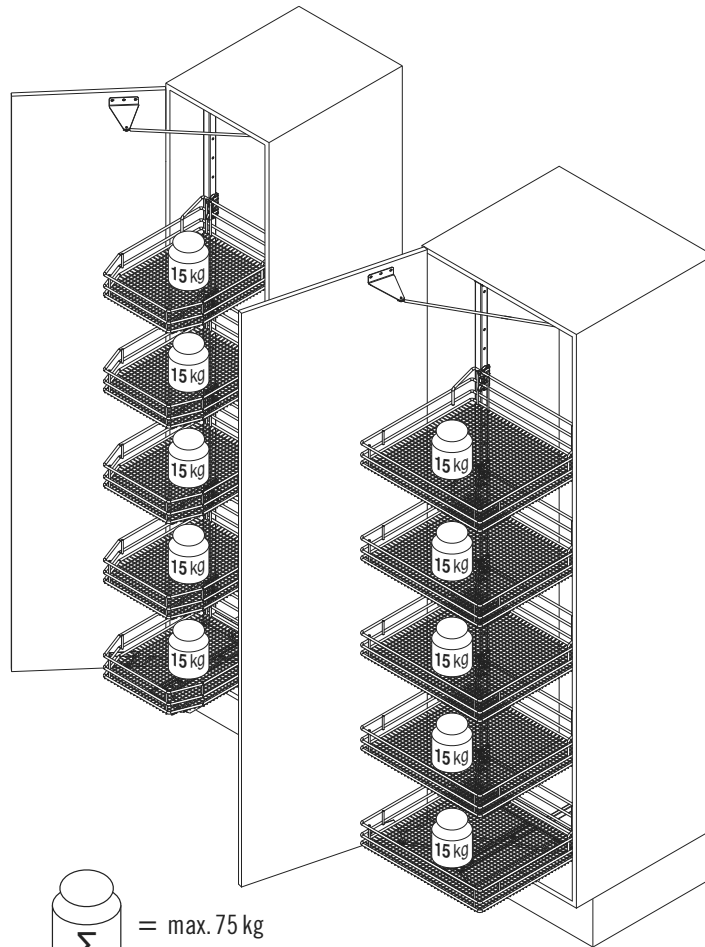
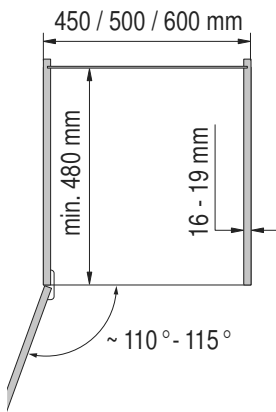
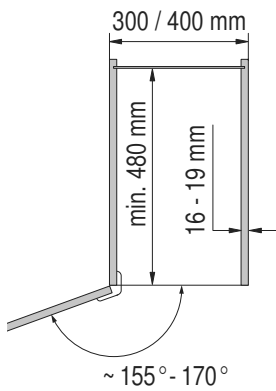
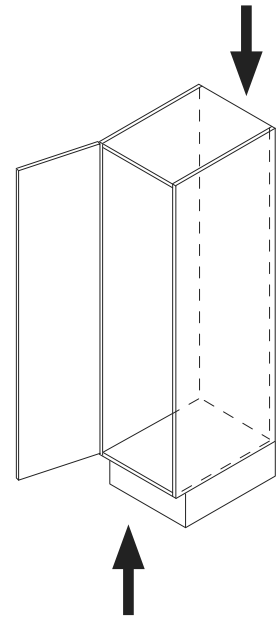
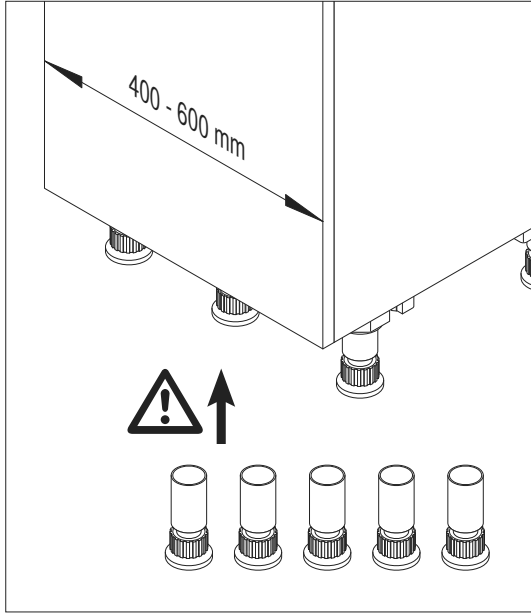
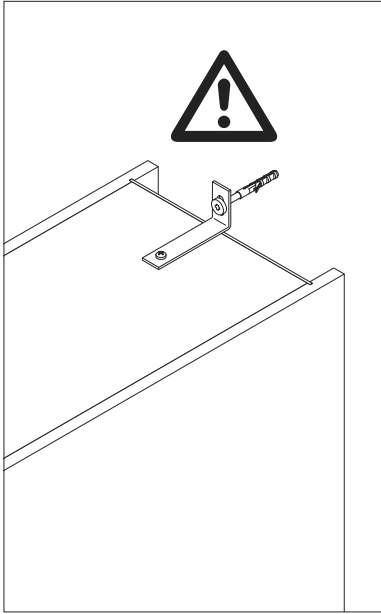


07 / 2019



VS TAL® Gate / N

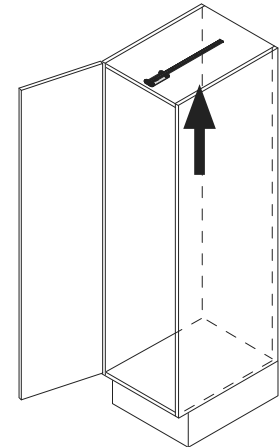
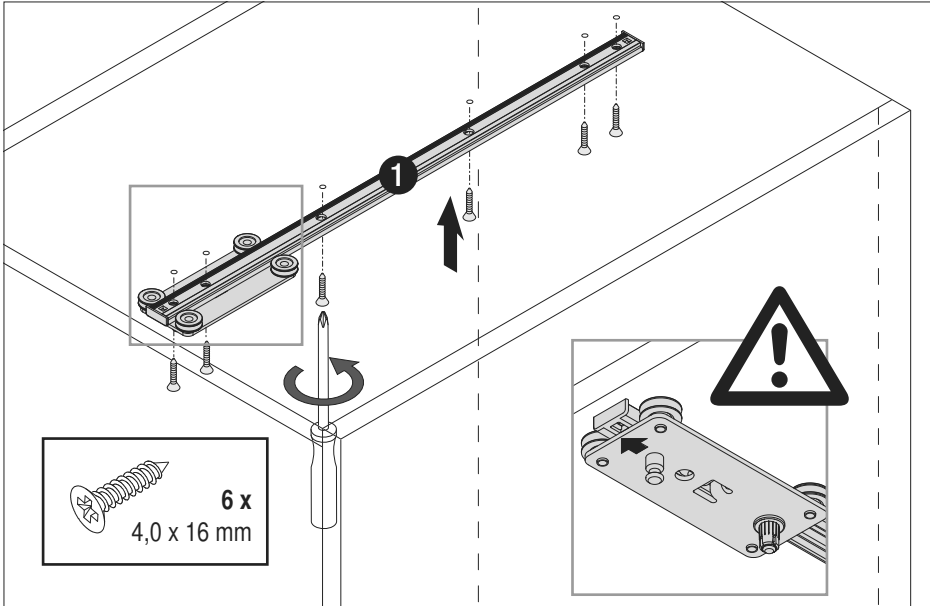




1



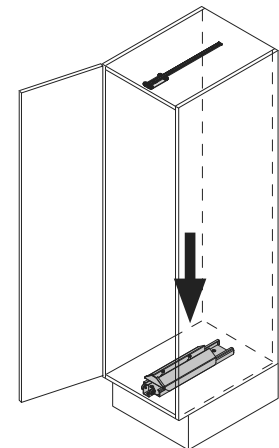
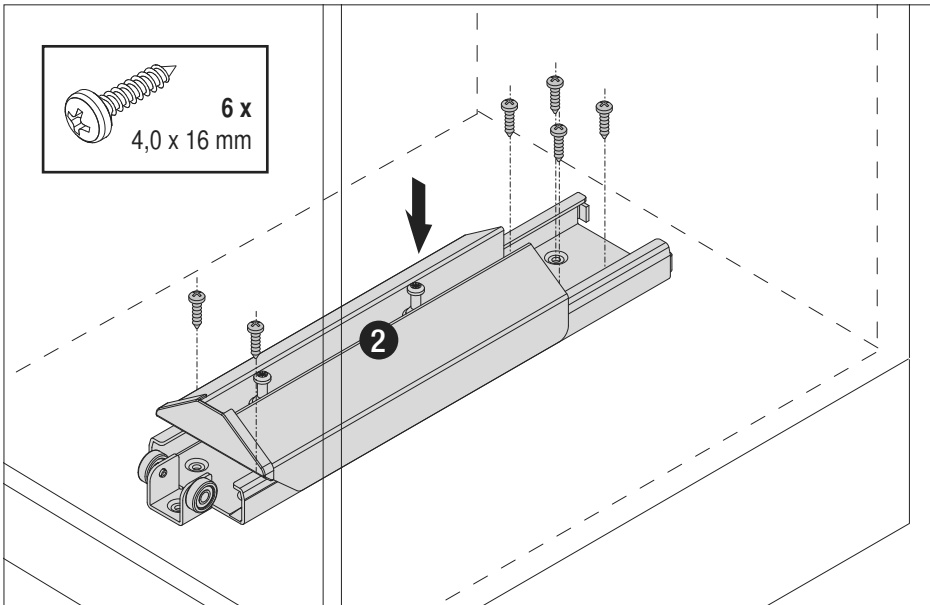
A



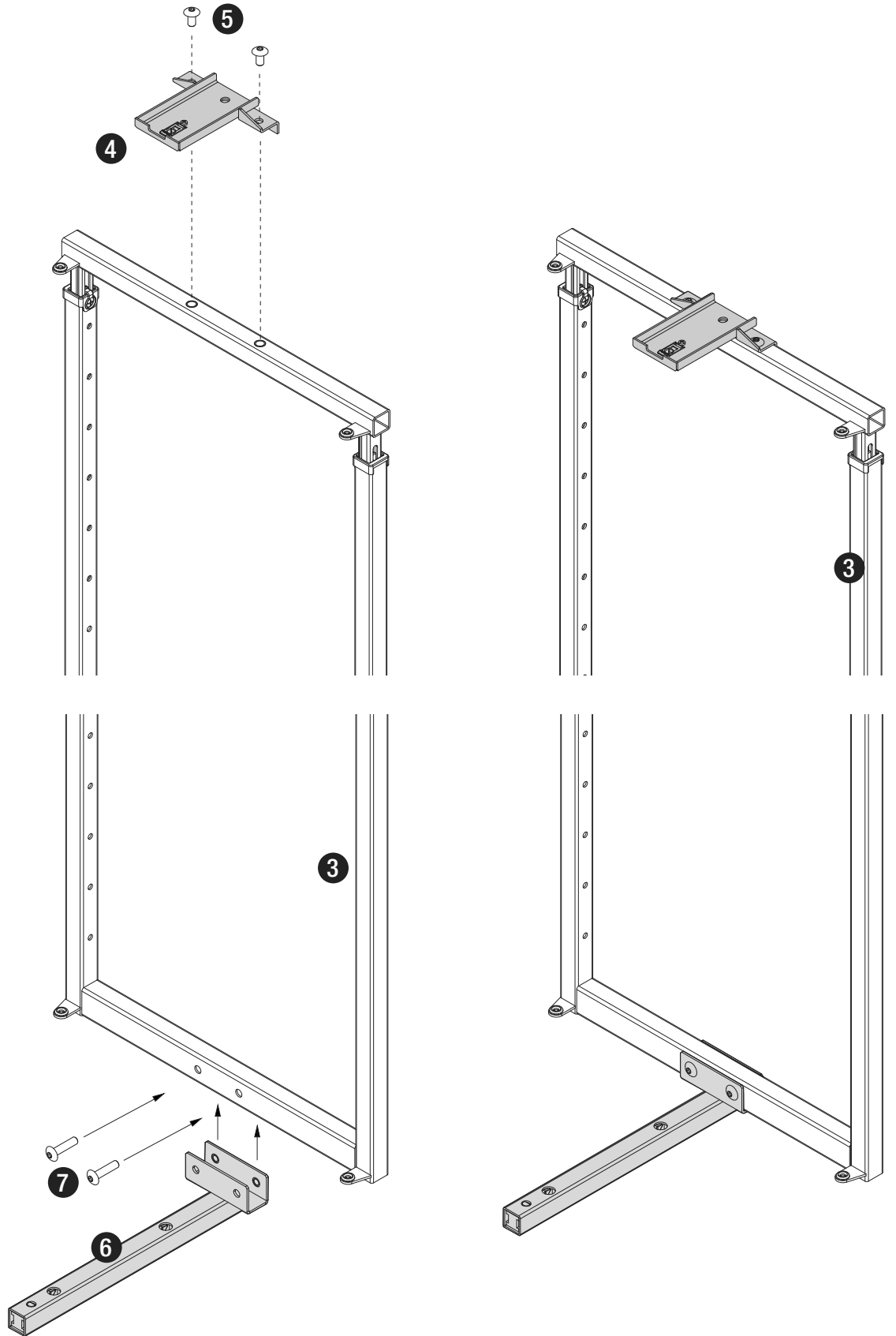
2



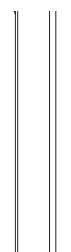
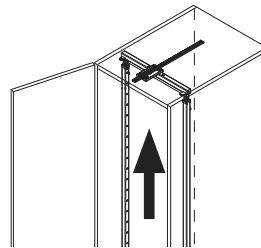
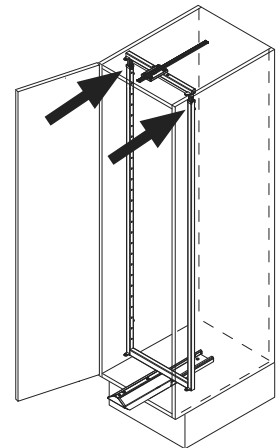
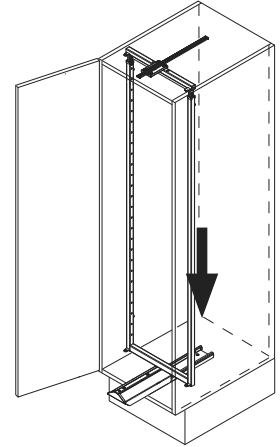
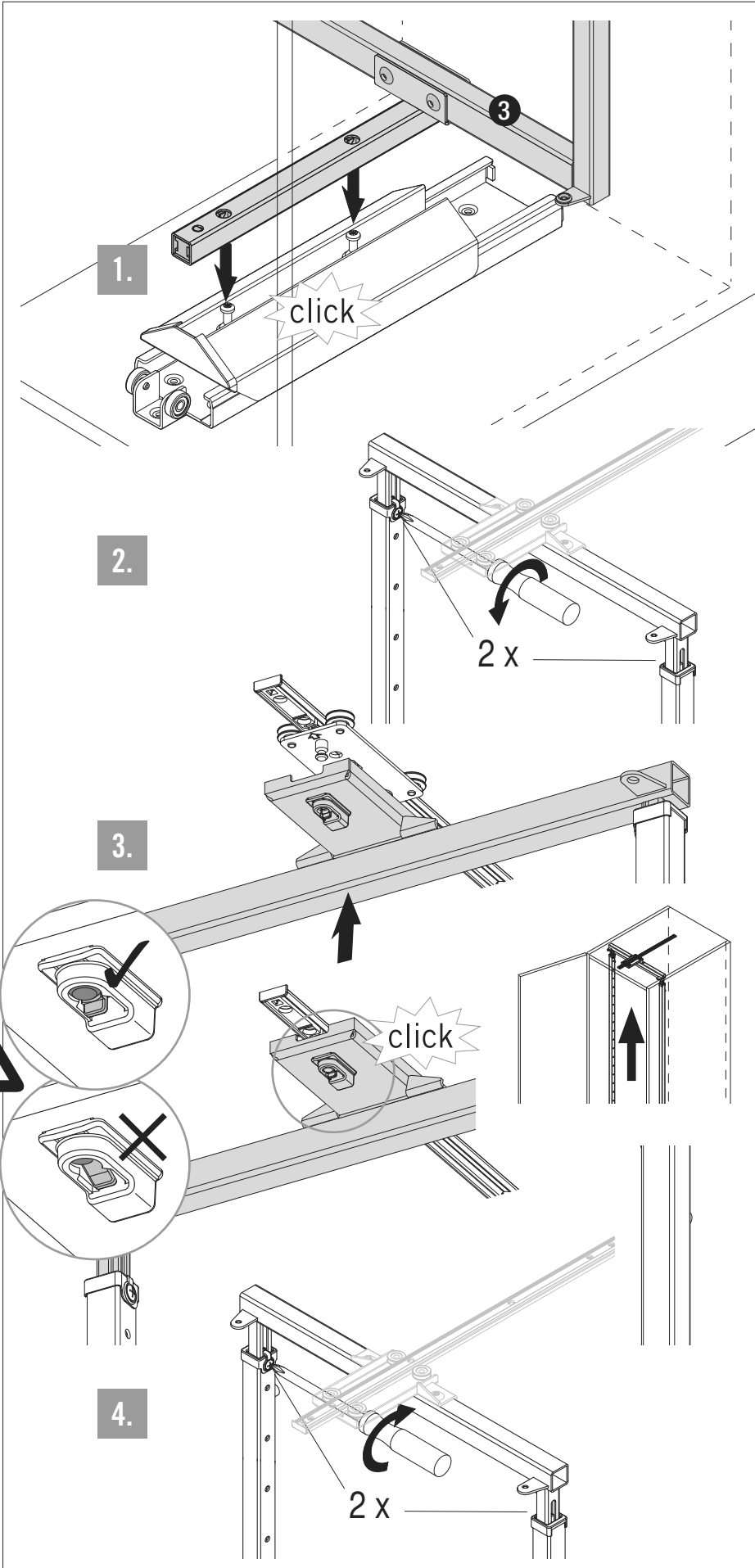
B



3



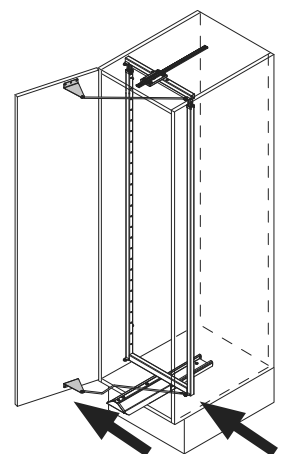
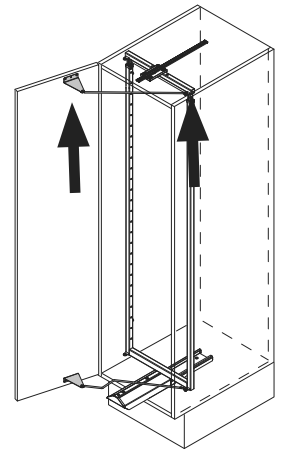
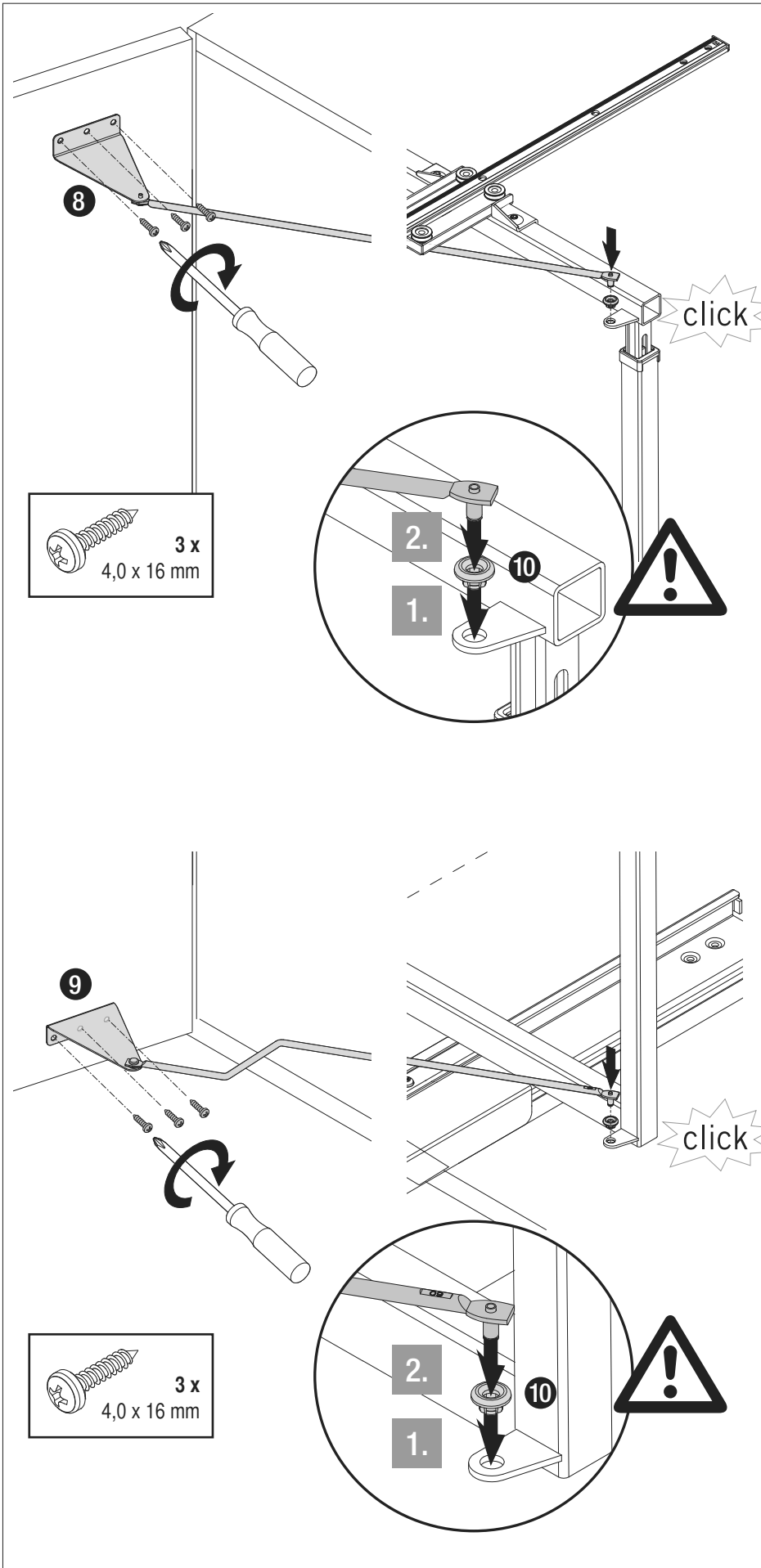
3

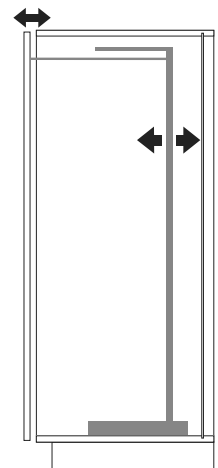
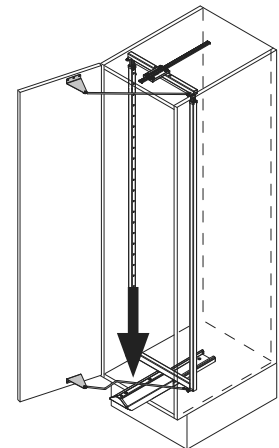
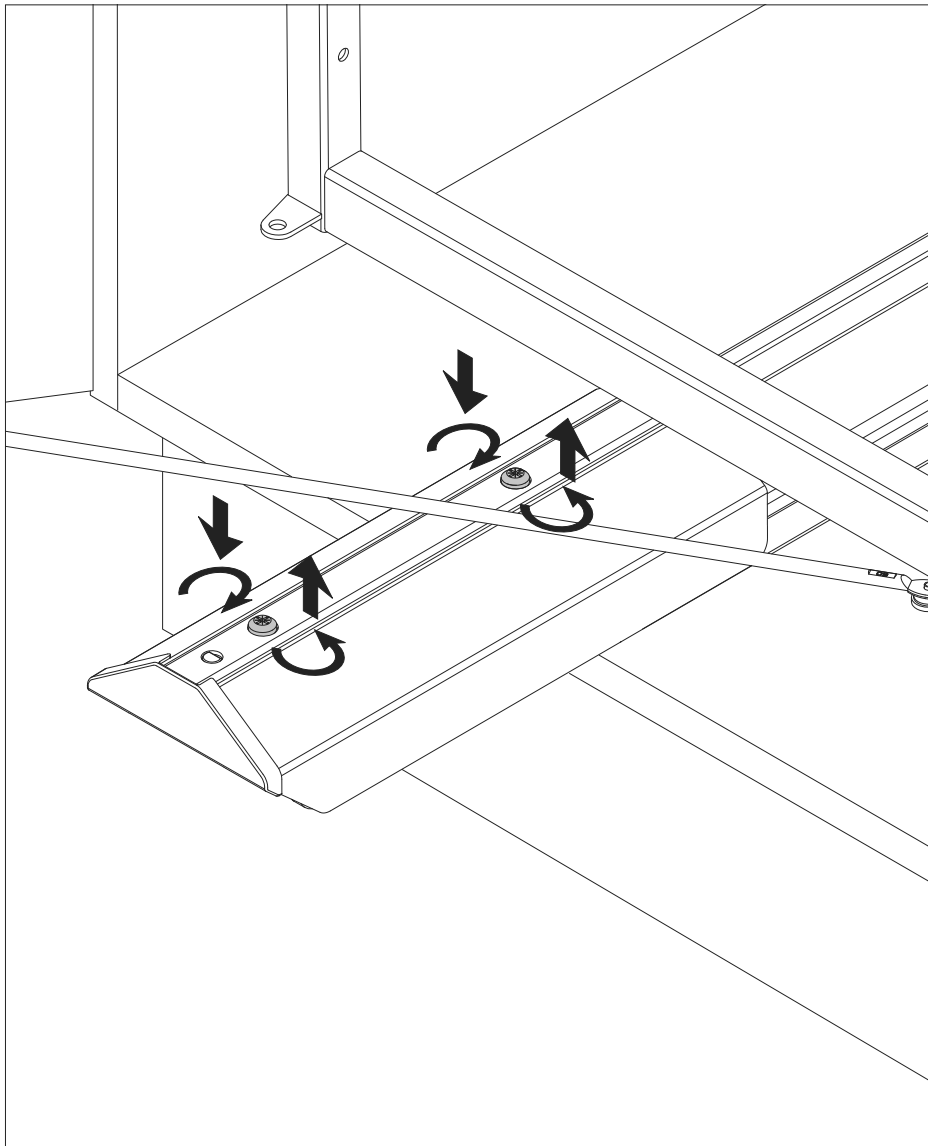
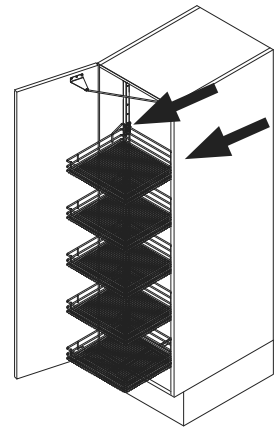
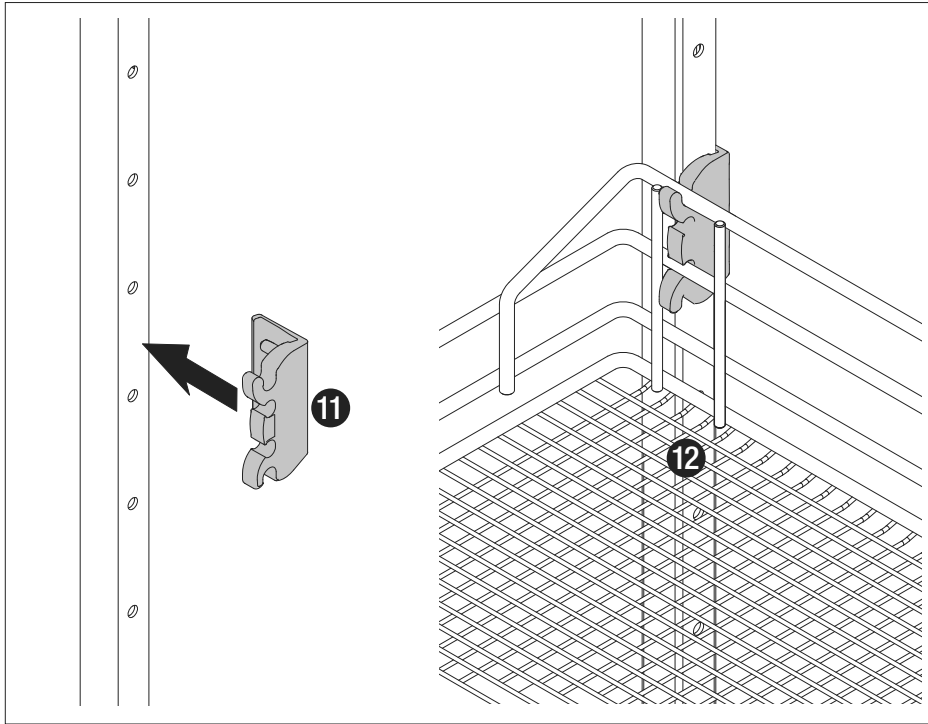


4



C

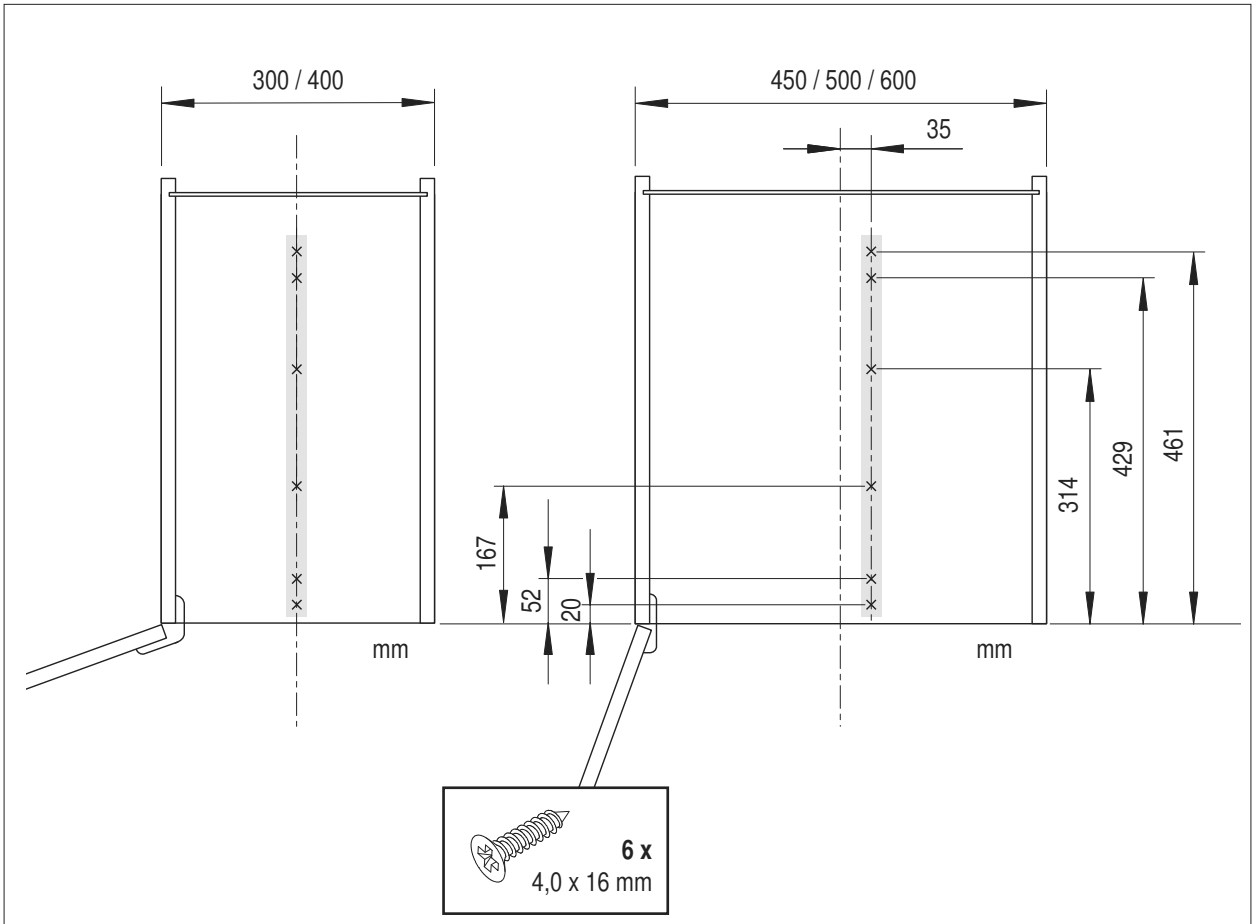




1



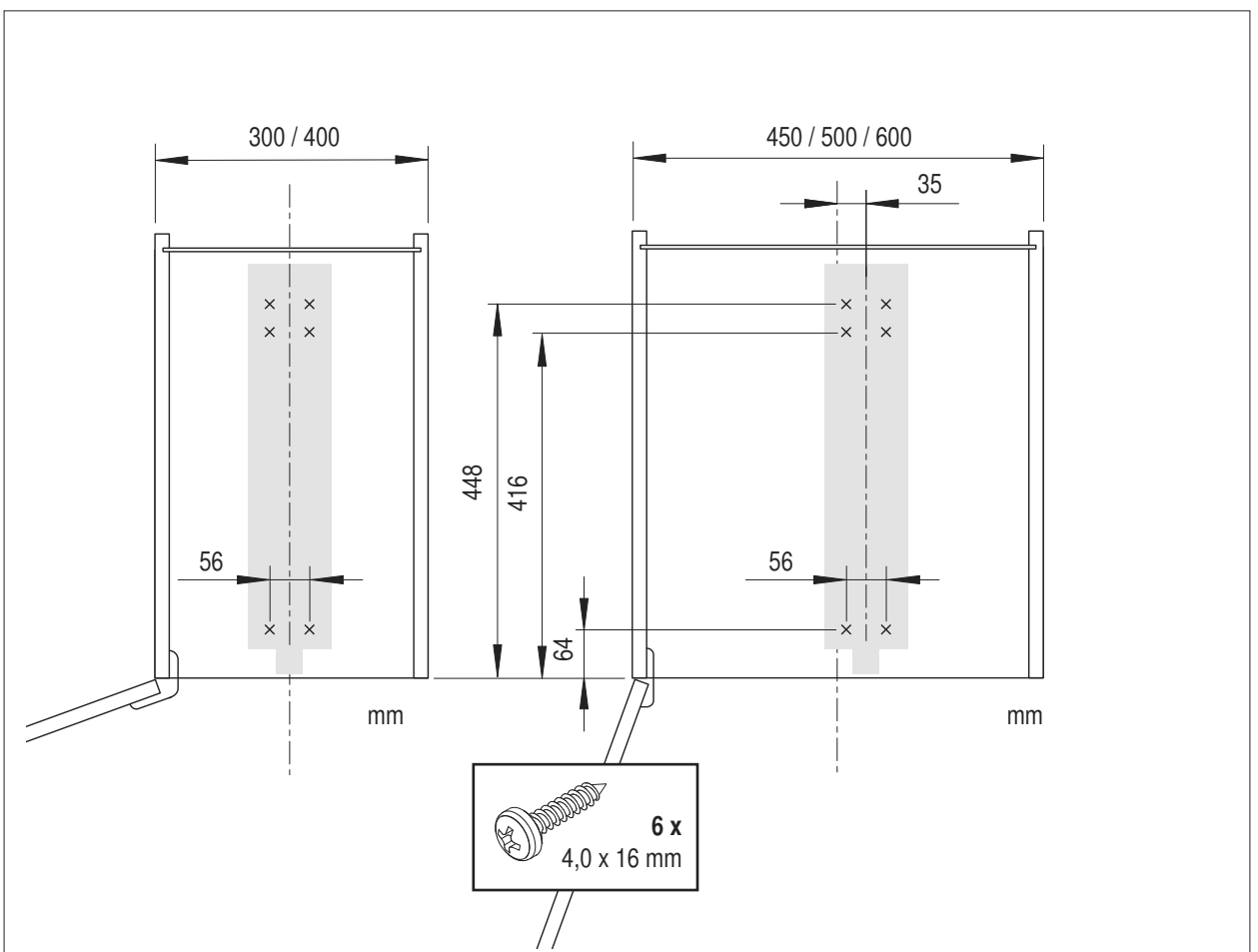
A



2



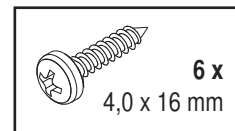
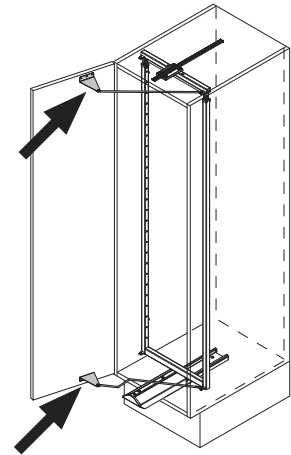
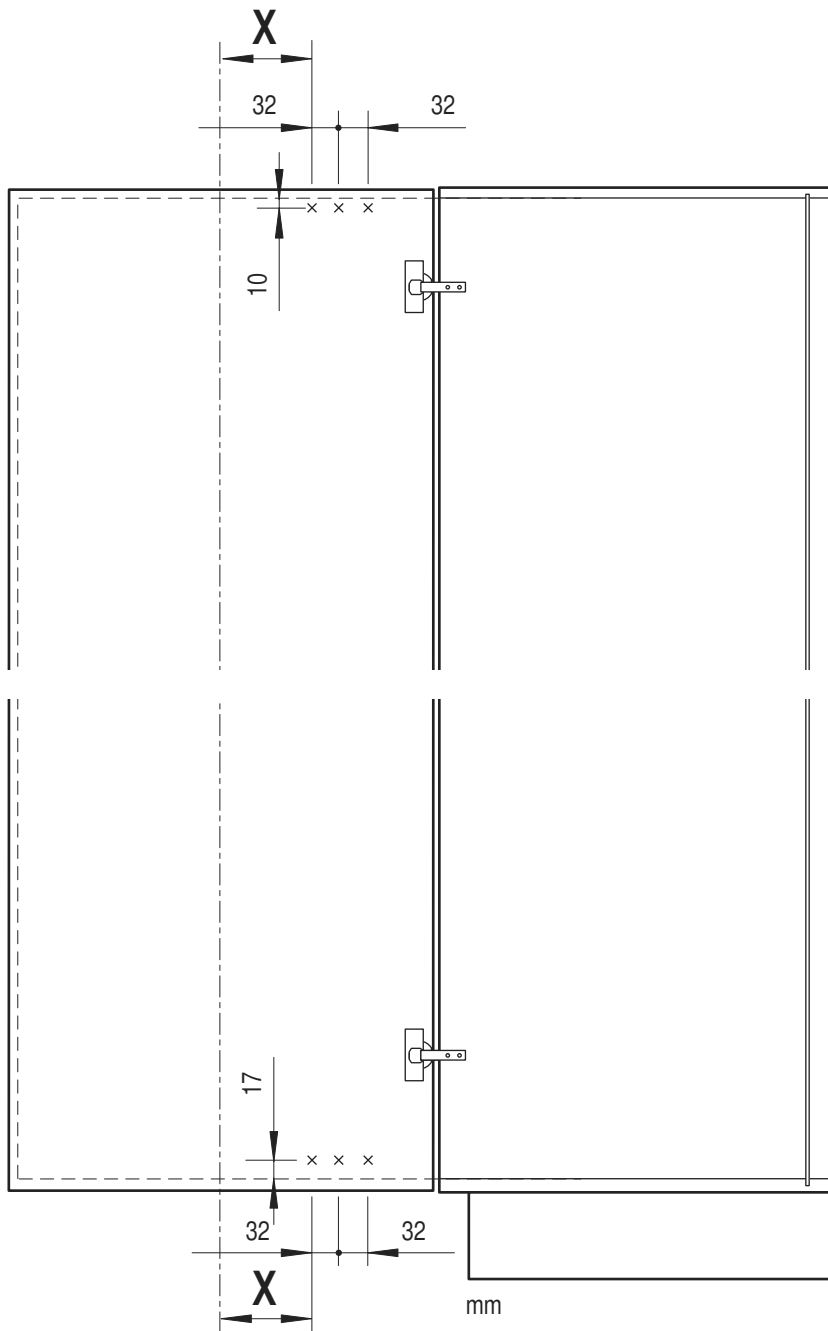
B



6



C



	X
K 300	41
K 400	78
K 450	80
K 500	96
K 600	133

mm